



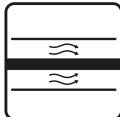
Air Blown Micro Cable Gel-Filled

FOSPC-XXX-X-ABMC-FTXXX-EX/ 12-288 Fibers

Applications



Outdoor



Air Blown Fiber



Duct Installation

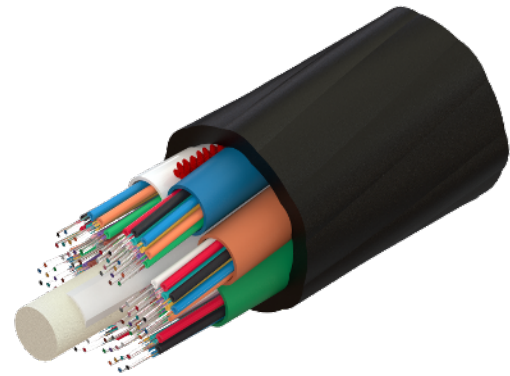
Protections



UV Resistant



Water Blocking



AIR BLOWN MICRO CABLE
GEL-FILLED 72F G657A1 FIBER FT

Quality

Cable needs to meet or exceed the following international standards:

We meet or exceed the following international standards:

- IEC 60794-1-21 E1 to E7: Mechanical test methods for Fiber Optic Cable.
- IEC 60794-1-21 F1 - F5: Environmental test methods for Fiber Optic Cable.

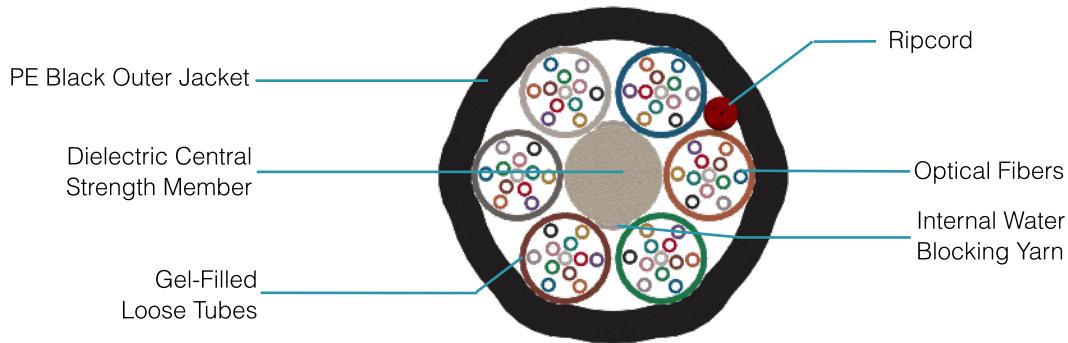
In case you do not meet any of these standards or any of the mentioned specifications in this data sheet a notification must be made before signing it. If it is signed and the product does not meet these standards after testing, the material will be returned at the provider's expense.


TECHNICAL DATA SHEET

OUTDOOR CABLE

FOSPC-XXX-X-ABMC-FTXXX-EX / 12-288 Fibers

Dimensions & Properties



Design	
Fiber per Tube	12 24*
Fiber Color Code	
Dielectric Strength Member	FRP
Outer Jacket Material / Thickness	HDPE / 0.5 (0.02 in)
Loose Tube Material / Diameter	PBT / 12 - 144 Fibers: 1.4 mm (0.06 in) PBT / 192 - 288 Fibers: 1.7 mm (0.07 in)
Drum Length	10,000 ft (+5%)
Temperature Range	
Operation	-40°C to +70°C (-40° F to 158° F)
Installation	-30°C to +60°C (-14° F to +140° F)
Storage / Transport	-40°C to +70°C (-40° F to +158° F)
Mechanical Properties	
Crush Resistance (Short-Term / Long-Term)	500 N/100mm / 200 N/100mm
Minimum Bend Radius (Operation / Installation)	10 x OD / 20 x OD

Note: Waveoptics® recommends storing cable in a proper temperature environment prior to installation to allow the cable temperature to meet installation temperature range specifications for best installation results.

* Only applicable for 192 fibers, 216 fibers, 288 fibers configuration.

* Only applies for fiber color code.

TECHNICAL DATA SHEET


OUTDOOR CABLE

FOSPC-XXX-X-ABMC-FTXXX-EX / 12-288 Fibers

Dimensions & Properties

Fiber Count	Loose Tube / Fillers	Fibers per Tube	Cable Weight (kg/km) (lb/kft) (±10%)	Tensile Strength (N)(lbf) Short-Term / Long-term	Nominal Outer Diameter (mm)(in)(±5%)	Recommended Microduct Size (ID)(mm)	Dielectric Central Strength Member Diameter / with PE (mm) (in)
12	1/5	12	22 (15)	200 (45) / 70 (16)	5.3 (0.21)	≥ 8	1.5 (0.06)
24	2/4	12	23 (15)	200 (45) / 70 (16)	5.3 (0.21)	≥ 8	1.5 (0.06)
36	3/3	12	23 (15)	200 (45) / 70 (16)	5.3 (0.21)	≥ 8	1.5 (0.06)
48	4/2	12	24 (16)	200 (45) / 70 (16)	5.3 (0.21)	≥ 8	1.5 (0.06)
72	6/0	12	25 (17)	200 (45) / 70 (16)	5.3 (0.21)	≥ 8	1.5 (0.06)
96	8/0	12	35 (24)	300 (67) / 100 (22)	6.2 (0.24)	≥ 8	2.4 (0.09)
144	12/0	12	55 (36)	500 (112) / 150 (34)	8.0 (0.32)	≥ 12	2.4/4.2 (0.09/0.16)
192	8/0	24	51 (34)	500 (112) / 150 (34)	7.3 (0.29)	≥ 10	2.2/2.9 (0.09/0.11)
216	9/0	24	57 (38)	500 (112) / 150 (34)	7.8 (0.31)	≥ 10	2.2/3.4 (0.09/0.13)
288	12/0	24	83 (56)	800 (180) / 250 (56)	9.4 (0.37)	≥ 14	3.0 / 5.0 (0.11 / 0.20)

Printed Information on Outer Jacket

==/XXX/FT* = /MONTH//YEAR/ WAVEOPTICS/ OPTICAL CABLE==  ==/LOT#/== ABMC==/FIBERCOUNT/==/FIBER TYPE/=

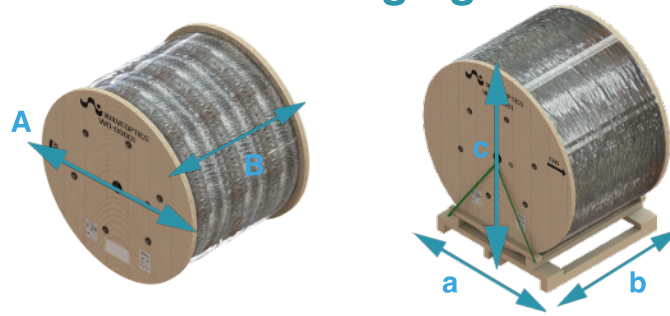
- Printed in white and resistant to physical tests on marking, the cable could be rejected if the marking can be easily erased when scratched.
- Inkjet marking is accepted as long as it is plasma printed.
- Marking must be in feet with an every 2 feet + 1% interval.
- The marking must coincide with the above illustration. Different marking could be a cause of rejection.
- Lot numbers must never be repeated according to the clause defined in page 4 of this document.

TECHNICAL DATA SHEET

OUTDOOR CABLE

FOSPC-XXX-X-ABMC-FTXXX-EX / 12-288 Fibers

Drum Dimensions and Pallet Packaging Information



Drum Length (ft) (m) (+5%)	Fiber Count	A (mm) (in) (±5%)	B (mm) (in) (±5%)	Drum and Pallet Total Weight (kg) (lb) (±10%)	Total Packaging (±5%)		
					a (mm)(in)	b (mm)(in)	c (mm)(in)
10,000 (3,048)	12-72	800 (31)	540 (21)	124 (273)	800 (31)	760 (30)	960 (38)
	96	800 (31)	710 (28)	164 (362)	800 (31)	914 (36)	960 (38)
	144	1,000 (39)	710 (28)	239 (527)	1000 (39)	914 (36)	1160 (46)
	192	900 (35)	710 (28)	239 (527)	965 (38)	914 (36)	960 (38)
	216	1,000 (39)	710 (28)	239 (527)	1000 (39)	914 (36)	1160 (46)
	288	1,250 (49)	710 (28)	330 (728)	1250 (49)	850 (33)	1,400 (55)

- All drums must be dry pine wood.
- Wood export certification must be provided.
- Drums must be fungus free, If the wood is plagued with fungus when the reels are submitted to inspection for our quality department.
- Drums must contain a center metal core.
- No tags inside or outside the drum or flanges
- No fumigation seals.
- Flanges Thickness: ≥ 53mm

All drums include:*

1. Drum handling instructions
2. Test report certificate
3. Product description (weight, dimensions, lot and part number)
4. End cable marking
5. Both ends include end caps to protect against humidity

Folio EP-504-01-EN

Last Review 4/2/2024

www.waveoptics.net

info@waveoptics.net

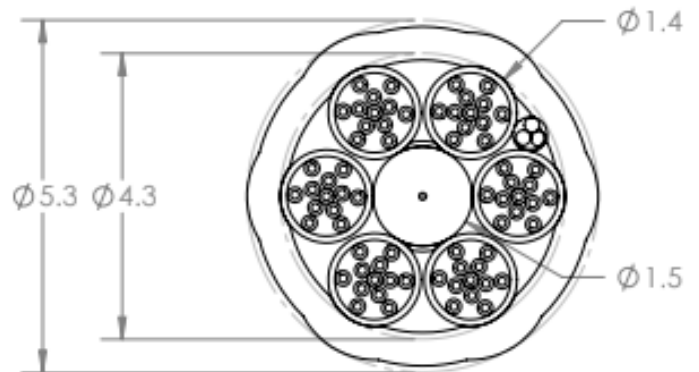
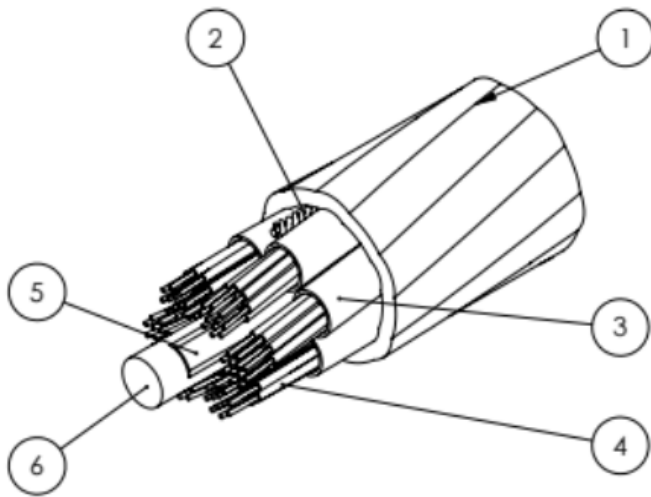


TECHNICAL DATA SHEET OUTDOOR CABLE

FOSPC-XXX-X-ABMC-FTXXX-EX / 12-288 Fibers

Technical Drawings 12-72F

Cable Components		
	Name	Description
1	Outer Jacket	Material: MPDE Color: Black
2	Ripcord	Material: Polyester Color: Red
3	Loose Tube	Material: PBT
4	Optical fiber	Excess Fiber Length: 0 to 0.05%
5	Water Blocking Yarn	Material: Polyester
6	Central Strength Member	Material: Fiberglass Reinforced Plastic



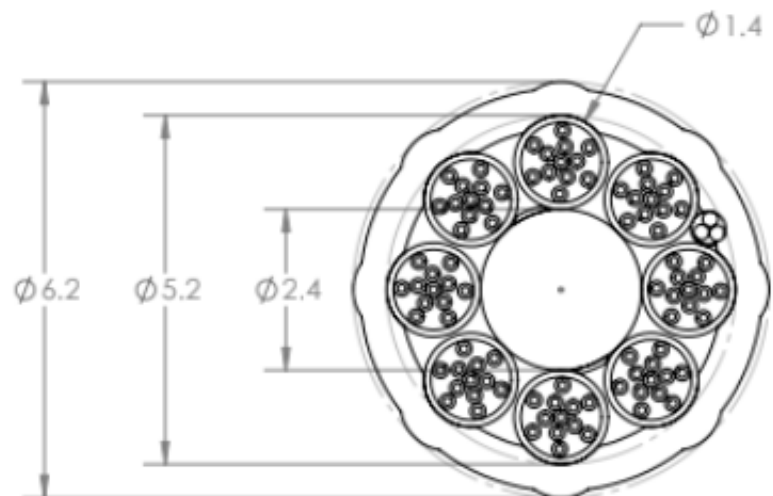
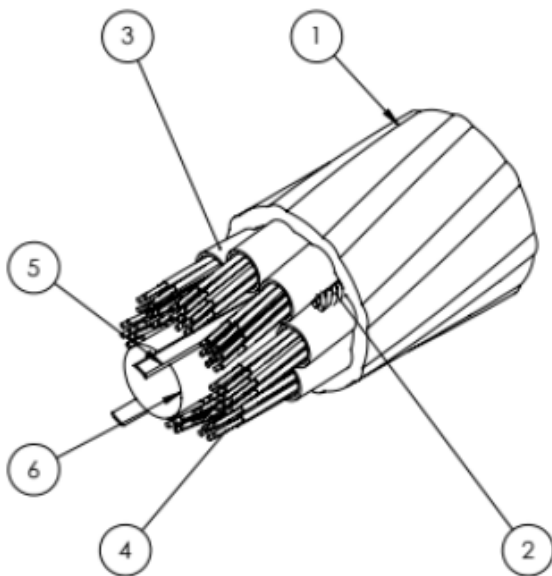
TECHNICAL DATA SHEET

OUTDOOR CABLE

FOSPC-XXX-X-ABMC-FTXXX-EX / 12-288 Fibers

96F

Cable Components		
	Name	Description
1	Outer Jacket	Material: HDPE Color: Black
2	Ripcord	Material: Polyester Color: Red
3	Loose Tube	Material: PBT
4	Optical Fiber	Excess Fiber Length: 0 to 0.05%
5	Water Blocking Yarn	Material: Polyester
6	Central Strength Member	Material: Fiberglass Reinforced Plastic

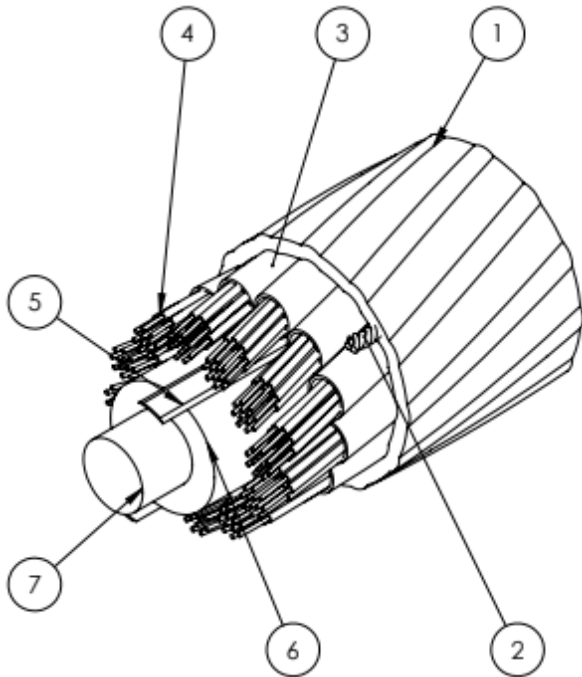


TECHNICAL DATA SHEET

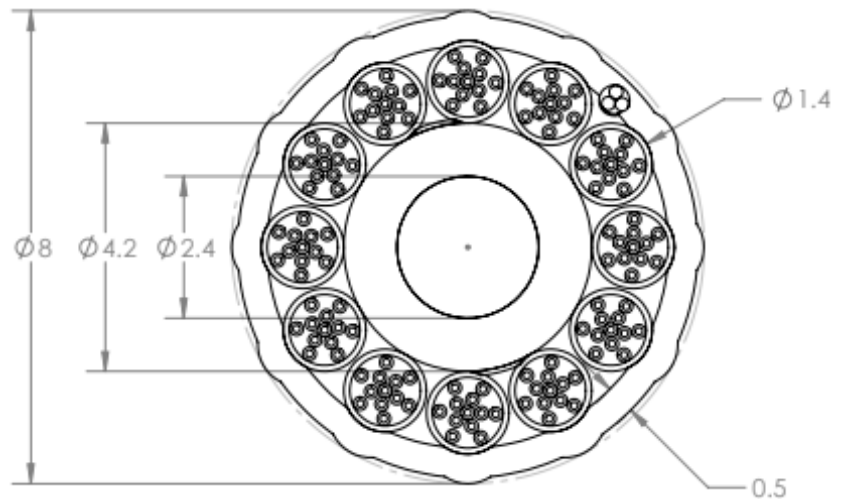
OUTDOOR CABLE

FOSPC-XXX-X-ABMC-FTXXX-EX / 12-288 Fibers

144F



Cable components		
	Name	Description
1	Outer Jacket	Material: HDPE Color: Black
2	Ripcord	Material: Polyester Color: Red
3	Loose Tube	Material: PBT
4	Optical Fiber	Excess Fiber Length: 0 to 0.05%
5	Water Blocking Yarn	Material: Polyester
6	PE Cushion	
7	Central Strength Member	Material: Fiberglass Reinforced Plastic

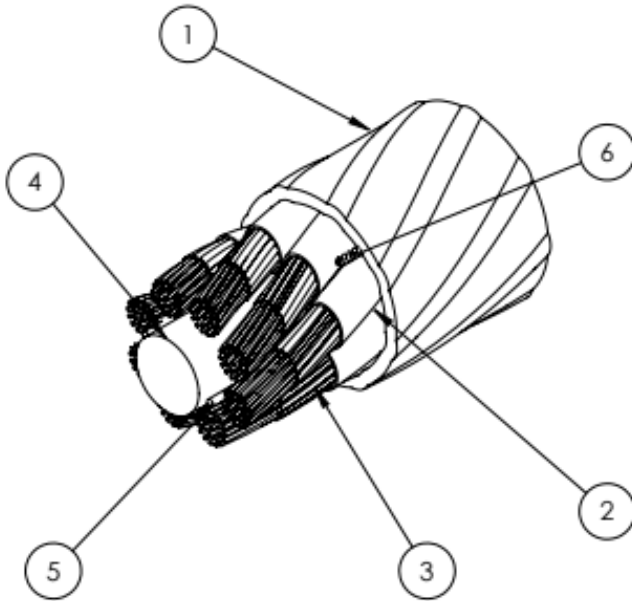


TECHNICAL DATA SHEET

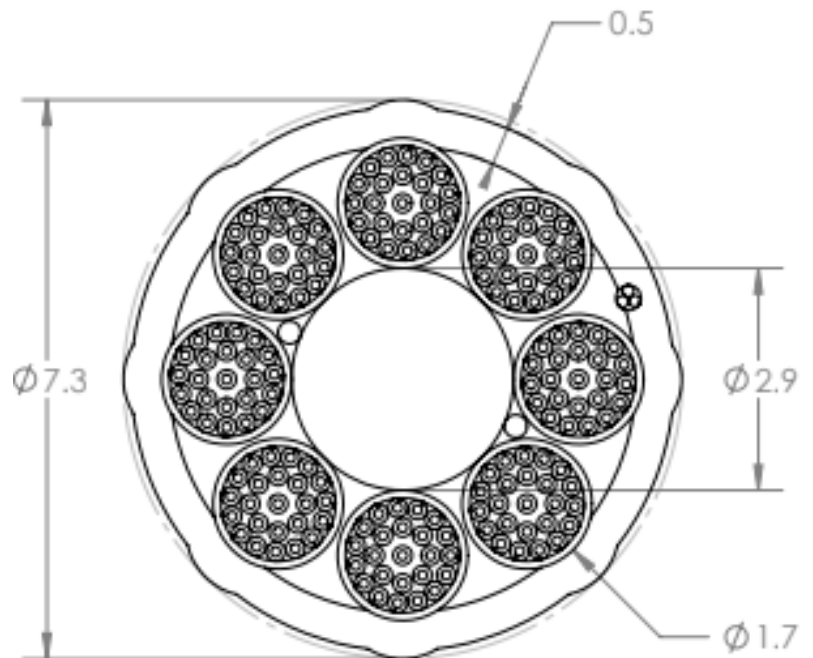
OUTDOOR CABLE

FOSPC-XXX-X-ABMC-FTXXX-EX / 12-288 Fibers

192F



CABLE COMPONENTS		
	NAME	DESCRIPTION
1	OUTER SHEATH	MATERIAL: HPDE COLOR: BLACK
2	LOOSE TUBE	MATERIAL: PBT
3	OPTIC FIBER	EXCESS FIBER LENGTH: 0 TO 0.05%
4	CENTRAL STRENGTH MEMBER	MATERIAL: FIBERGLASS REINFORCED PLASTIC CORE WITH PE CUSHION
5	WATHER BLOCKING YARN	MATERIAL: POLIESTER
6	RIPCORD	MATERIAL: POLIESTER COLOR: RED

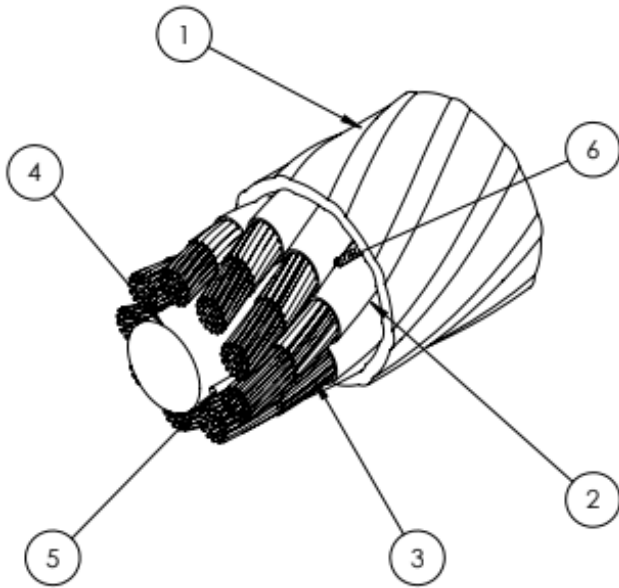


TECHNICAL DATA SHEET

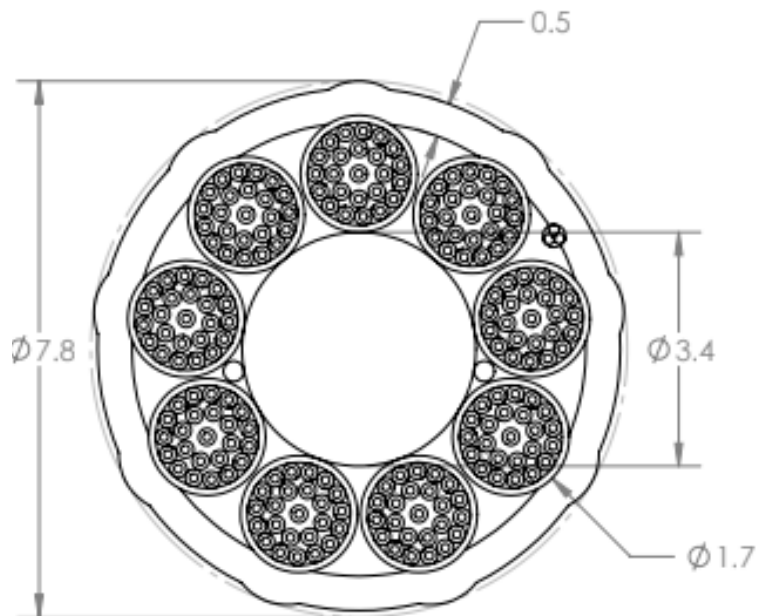
OUTDOOR CABLE

FOSPC-XXX-X-ABMC-FTXXX-EX / 12-288 Fibers

216F



CABLE COMPONENTS		
	NAME	DESCRIPTION
1	OUTER SHEATH	MATERIAL: HPDE COLOR: BLACK
2	LOOSE TUBE	MATERIAL: PBT
3	OPTIC FIBER	EXCESS FIBER LENGTH: 0 TO 0.05%
4	CENTRAL STRENGTH MEMBER	MATERIAL: FIBERGLASS REINFORCED PLASTIC CORE WITH PE CUSHION
5	WATHER BLOCKING YARN	MATERIAL: POLIESTER
6	RIPCORD	MATERIAL: POLIESTER COLOR: RED

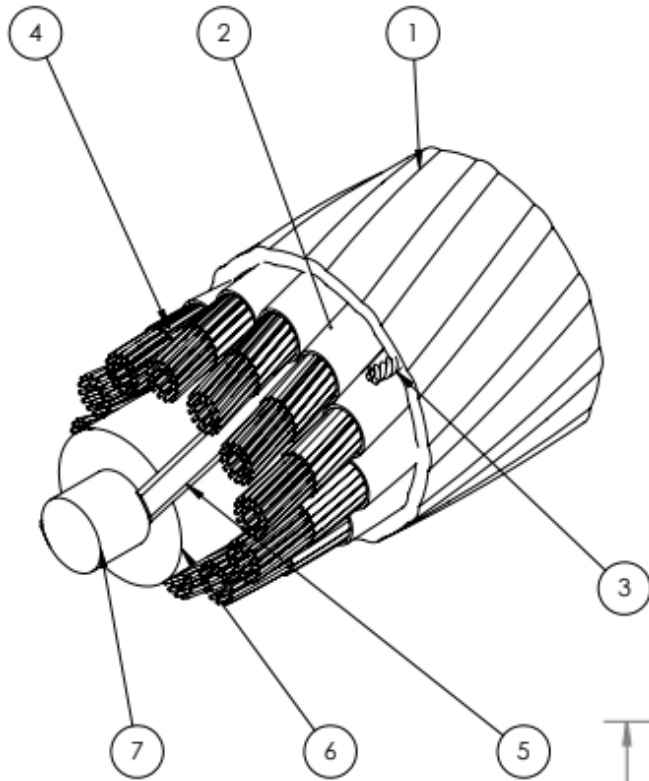


TECHNICAL DATA SHEET

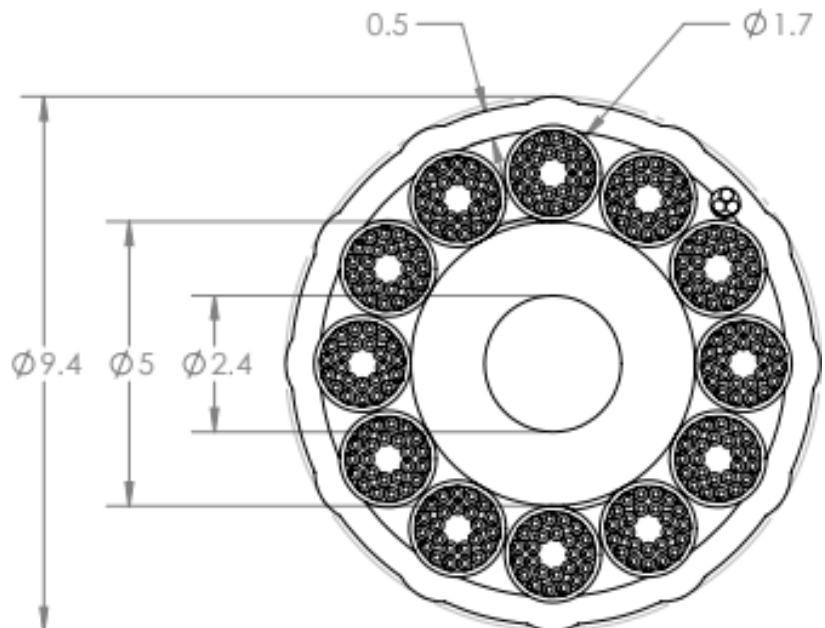
OUTDOOR CABLE

FOSPC-XXX-X-ABMC-FTXXX-EX / 12-288 Fibers

288F



Cable components		
	Name	Description
1	Outer Jacket	Material: HDPE Color: Black
2	Ripcord	Material: Polyester Color: Red
3	Loose Tube	Material: PBT
4	Optical Fiber	Excess Fiber Length: 0 to 0.05%
5	Water Blocking Yam	Material: Polyester
6	PE Cushion	
7	Central Strength Member	Material: Fiberglass Reinforced Plastic



TECHNICAL DATA SHEET OUTDOOR CABLE

FOSPC-XXX-X-ABMC-FTXXX-EX / 12-288 Fibers

Lot Numbers

- Lot numbers must never repeat and will be defined as it is shown in the following configurator:

XXXXXX

Provider Number

9 - Hengtong

Lot number

Four consecutive numbers

- Lot numbers begin with the assigned provider number and followed by four consecutive numbers.
- All lot numbers for a purchase order must be defined and confirmed via email before production.
- Lot numbers should not repeat even if they are assigned to different purchase orders or different products. For example:

If a purchase order is placed for a Loose Tube Single Armored Single-Jacket Cable Dry and the last lot number for the complete order is 90009 a new purchase order is placed for Air Blown Micro Cable, this batch must begin with a 90010 and so on.

Transmission Performance by Fiber Type

Fiber Type	Single Mode
Waveoptics® Fiber Type	G657.A1
Waveoptics® Fiber Code	T
Wavelength (nm)	1310/1550
Max.attn. (dB/km) (1)	0.35/0.22
Cable Marking Specifications	G657.A1

Notes:

(1) Maximum attenuation after cabling process.

TECHNICAL DATA SHEET OUTDOOR CABLE

FOSPC-XXX-X-ABMC-FTXXX-EX / 12-288 Fibers

Part Number Configuration

FOSPC-XXX-X-ABMC-FTXXX-EX

Fiber Count	Waveoptics® Fiber Type	Drum Length	Optical Cable Compliance
12 - 12 Fibers	T - SM G657.A1	OBI - 10,000 ft	EX - Waveoptics® Slim Standard
24 - 24 Fibers			
36 - 36 Fibers			
48 - 48 Fibers			
72 - 72 Fibers			
96 - 96 Fibers			
144 - 144 Fibers			
192 - 192 Fibers			
216 - 216 Fibers			
288 - 288 Fibers			

Note: please contact your Waveoptics® distributor if you need any additional compliance or if you have questions about the part number configuration.

Date	
Provider name a signature	Approver name and signature